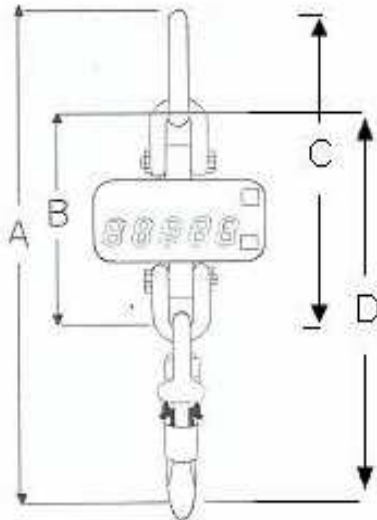


# PRODUCT SHEET

## MINI-DIN : WEIGHING HOOK BASIC MODEL



- display : LCD, 4 digits, 25 mm high
- capacity : 300 to 10.000 kg
- accuracy :  $\pm 0,05\%$  F.S.
- push buttons ON/OFF and TARE on front
- working temperature :  $-10^{\circ}\text{C}$  to  $+50^{\circ}\text{C}$
- protection : IP65
- rechargeable NiCd-battery : 40 hours autonomy
- battery charger : 230 Vac
- includes ring, shackles and rotating hook
- options : - display with LEDs
  - IR remote control for OF and TARE

Capacity kg	Resolution kg	Dimensions mm				Weight
		A	B	C	D	
300	0,1	500	235	370	400	4,0
500	0,2	500	235	370	400	4,0
1.000	0,5	500	235	370	400	4,5
2.000	1	550	260	370	400	5
3.200	1	570	265	440	430	5,5
5.000	2	700	330	535	595	11
6.300	2	770	335	535	600	14
10.000	5	840	350	610	710	21